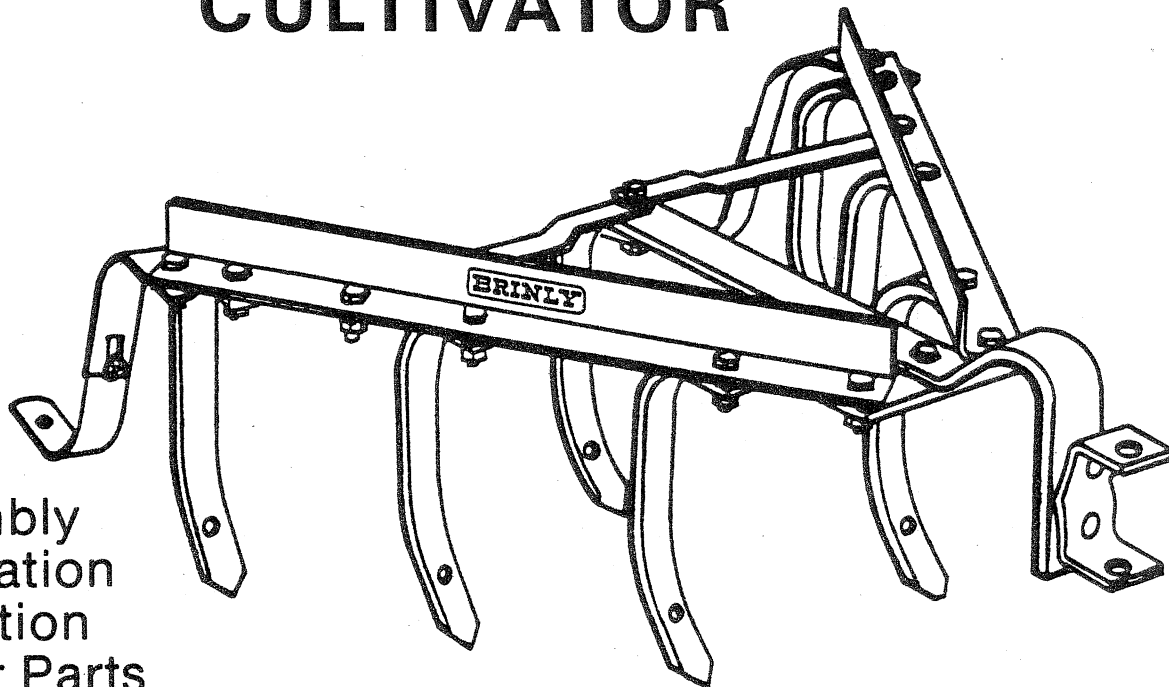
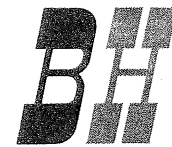


Brinly

OWNER'S MANUAL

Model CC-550

CULTIVATOR



- Assembly
- Installation
- Operation
- Repair Parts

THIS IMPLEMENT FOR USE WITH GARDEN TRACTORS EQUIPPED WITH SLEEVE HITCH. ALSO, TIRE CHAINS AND WHEEL WEIGHTS ARE RECOMMENDED.

"IMPORTANT: THIS MANUAL CONTAINS INFORMATION FOR THE SAFETY OF PERSONS AND PROPERTY. READ IT CAREFULLY BEFORE ASSEMBLY AND OPERATION OF THE EQUIPMENT!"

LIMITED WARRANTY

Brinly-Hardy Company warrants only to the original retail purchaser that this product will remain free of defects in workmanship and materials under normal use and service for a period of two (2) years (NOTE: ninety (90) days for commercial or rental use) commencing with the date of purchase.

Any parts found to be defective within the warranty period will be replaced, with proof of date of purchase, at Brinly-Hardy Company's expense. Our obligation under this warranty is expressly limited to replacement or repair, at our option of parts which are defective in material or workmanship within thirty (30) days of receipt of the parts. This warranty does not apply to damage caused by unreasonable use, including failure to provide necessary maintenance, nor does it apply to any transportation or labor charges.

WE MAKE NO OTHER EXPRESS WARRANTY NOR IS ANYONE AUTHORIZED TO MAKE ANY ON OUR BEHALF. ANY IMPLIED OR STATUTORY WARRANTIES, INCLUDING ANY WARRANTY OF MERCHANTABILITY OR FITNESS FOR A PARTICULAR PURPOSE, ARE LIMITED TO THE DURATION OF THIS WRITTEN WARRANTY. WE SHALL NOT BE LIABLE FOR CONSEQUENTIAL OR INCIDENTAL DAMAGES OF ANY KIND.

Brinly-Hardy Company 1-800-626-5329

MADE IN U.S.A.

CONGRATULATIONS on your purchase of this Brinly Attachment. It has been designed, engineered, and manufactured to give you the best possible dependability and performance.

Please read and retain this manual. The instructions will enable you to assemble and maintain your Attachment properly. Always observe the "SAFETY RULES".

The Cultivator and its accessories may be used to cultivate a wide range of garden vegetables or field crops. They can be set up for straddle-row and/or between-row cultivation.

Should the need ever exist for repair parts, order through most any Lawn and Garden dealer, using part number and description.



RULES FOR SAFE OPERATION

- Know controls and how to stop quickly, READ THE OWNER'S MANUAL.
- Do not allow children to operate the vehicle, do not allow adults to operate without proper instruction and without having read the owner's manual.
- Do not carry passengers. Keep children and pets a safe distance away.
- Always wear substantial footwear. Do not wear loose fitting clothing that can get caught in moving parts.
- Keep your eyes and mind on your tractor/attachment and area being covered. Don't let other interests distract you.
- Stay alert for holes in the terrain and other hidden hazards.
- Keep the vehicle and attachment in good operating condition and keep safety devices in place.
- Keep all nuts, bolts and screws tight to be sure the equipment is in safe working condition.
- The vehicle and attachment should be stopped and inspected for damage after striking a foreign object. The damage should be repaired before restarting and operating the equipment.
- See tractor equipment owner's manual for safe operation of the equipment.
- Do not drive close to creeks, ditches and public highways.
- Watch out for traffic when crossing or near roadways.
- When using any attachment, don't allow anyone near the vehicle while in operation.



WARNING!

- DO NOT allow anyone to ride on Cultivator.



LOOK FOR THIS SYMBOL TO POINT OUT IMPORTANT SAFETY PRECAUTIONS. IT MEANS - ATTENTION! BECOME ALERT! YOUR SAFETY IS INVOLVED.

CUSTOMER RESPONSIBILITIES

- Read and observe the "SAFETY RULES".
- Follow a regular schedule in maintaining, caring for, and using your Attachment.

ASSEMBLY

NOTES

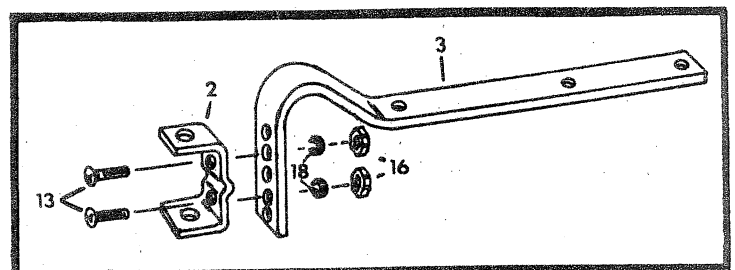
- It is recommended that you carefully read this Owner's Manual BEFORE starting assembly.
- Before starting assembly, arrange each kind of hardware into a group to ease assembly.

REFER TO FIG. 1

- Attach Hitch Bracket (2) to Pull Bar (3) using the two 7/16" x 1 3/4" Plow Bolts (13) Lock Washers (18), and Hex Nuts (16). Finger tighten only.

TOOLS REQUIRED FOR ASSEMBLY:

- 1 8" Adjustable Wrench
- 1 11/16" Wrench
- 1 9/16" Wrench
- 1 3/4" Wrench



REFER TO FIG. 2

- Attach Tie Bar (9) and the two Frame Angles (4) to the Pull Bar (3) as shown, using three 1/2" x 1 1/2" Hex Bolts (10), Lock Washers (19), and Hex Nuts (15).

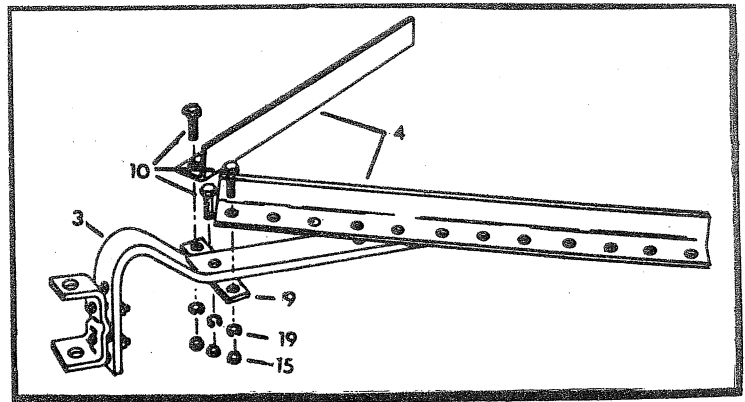


Fig. 2

REFER TO FIG. 3

- Assemble Tie Straps (5) to Pull Bar with a 1/2" x 2" Hex Bolt (11), Lock Washer (19), and Hex Nut (15).
- Align the Tie Bars with appropriate holes on each of the Frame Angles. **Note: The holes used should be selected to create the desired width of cultivation. The forward most holes provide the widest path of cultivation, and the rearmost holes the narrowest.**
- Secure the Tie Bars to the Frame Angles with 1/2" x 1 1/2" Hex Bolts (10), Lock Washers (19), and Hex Nuts (15).

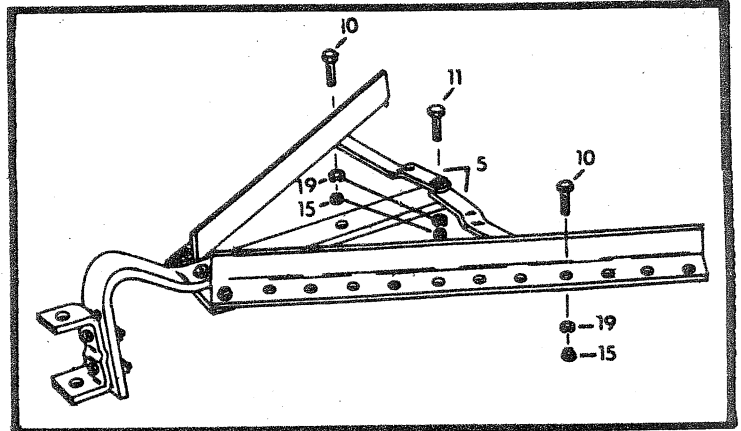


Fig. 3

REFER TO FIG. 4

- Assemble six Rigid Shanks to the Frame Angles, securing with 1/2" x 1-1/2" Hex Bolts (10), Lock Washers (19), and Hex Nuts (15).
- When assembling for in-between row cultivation, the extra Shank must be mounted to the center of the Cultivator, using the same hole and bolt used to fasten Tie Bars to pull bar, as shown.
- Set all Shanks to run straight in the direction of travel.

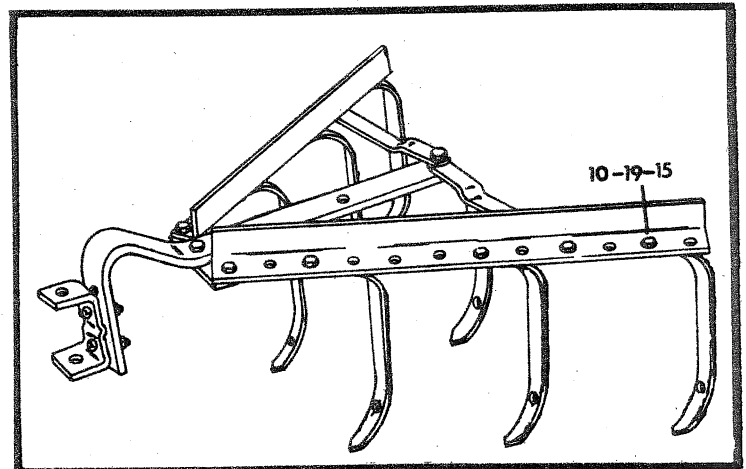


Fig. 4

REFER TO FIG. 5

- Assemble the Gauge Shoe Halves (7) using two 3/8" x 1" Carriage Bolts (12), Plain Washers (20), Lock Washers (17), and Hex Nuts (14).
- Attach to Frame Angles as shown, using 1/2" x 1-1/2" Hex Bolts (10), Lock Washers (19), and Hex Nuts (15).

MOUNTING ADJUSTMENT

- Attach Cultivator to your Tractor Hitch in lowered position.
- Adjust Hitch Bracket on Cultivator to obtain desired depth of cultivator.
- Cultivator should be parallel to ground. Adjust 7/16" Plow Bolts (Fig.1.) to level Cultivator Shanks.
- Pull Bar may be inverted to increase depth of cultivation.
- Adjust Gauge Shoes to maintain depth. **Tighten all bolts securely.**

IMPORTANT: Cultivator must be Stabilized to eliminate "side to side" movement when Cultivating crops. This is an adjustment on the Sleeve Hitch, made using the Adjusting Bolts (at each side of Sleeve Hitch Mounting Tube) and Stabilizer Plate supplied with Sleeve Hitch. Refer to Sleeve Hitch Manual.

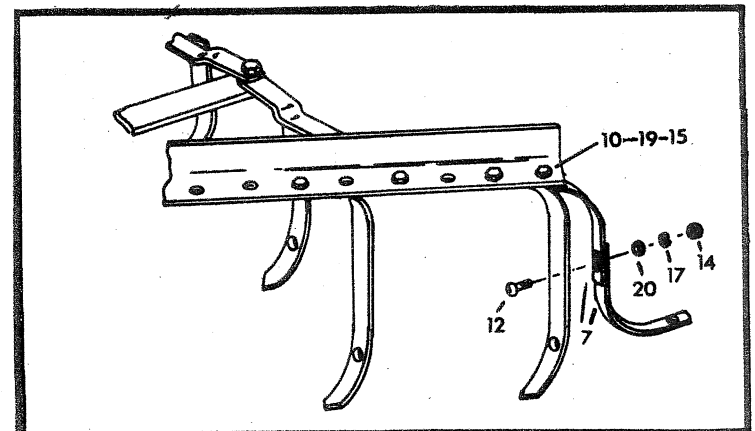


Fig. 5

OPERATION

- Cultivate at a slow tractor speed.
- Additional weight is not normally required for cultivating light soil. However, it is necessary when soil is heavy, crusted, and/or thickly weeded, in order to improve the cultivator's penetration and stability.

- A concrete block should be attached to the center of the pull bar with the 3/8" x 9-1/2" Rod Tie-down, Plain Washer, Lock Washer, and Hex Nut furnished.
- Cultivating depth can be controlled by use of adjustable Gauge Shoes (item 7, Fig.8).

CUSTOMER RESPONSIBILITY

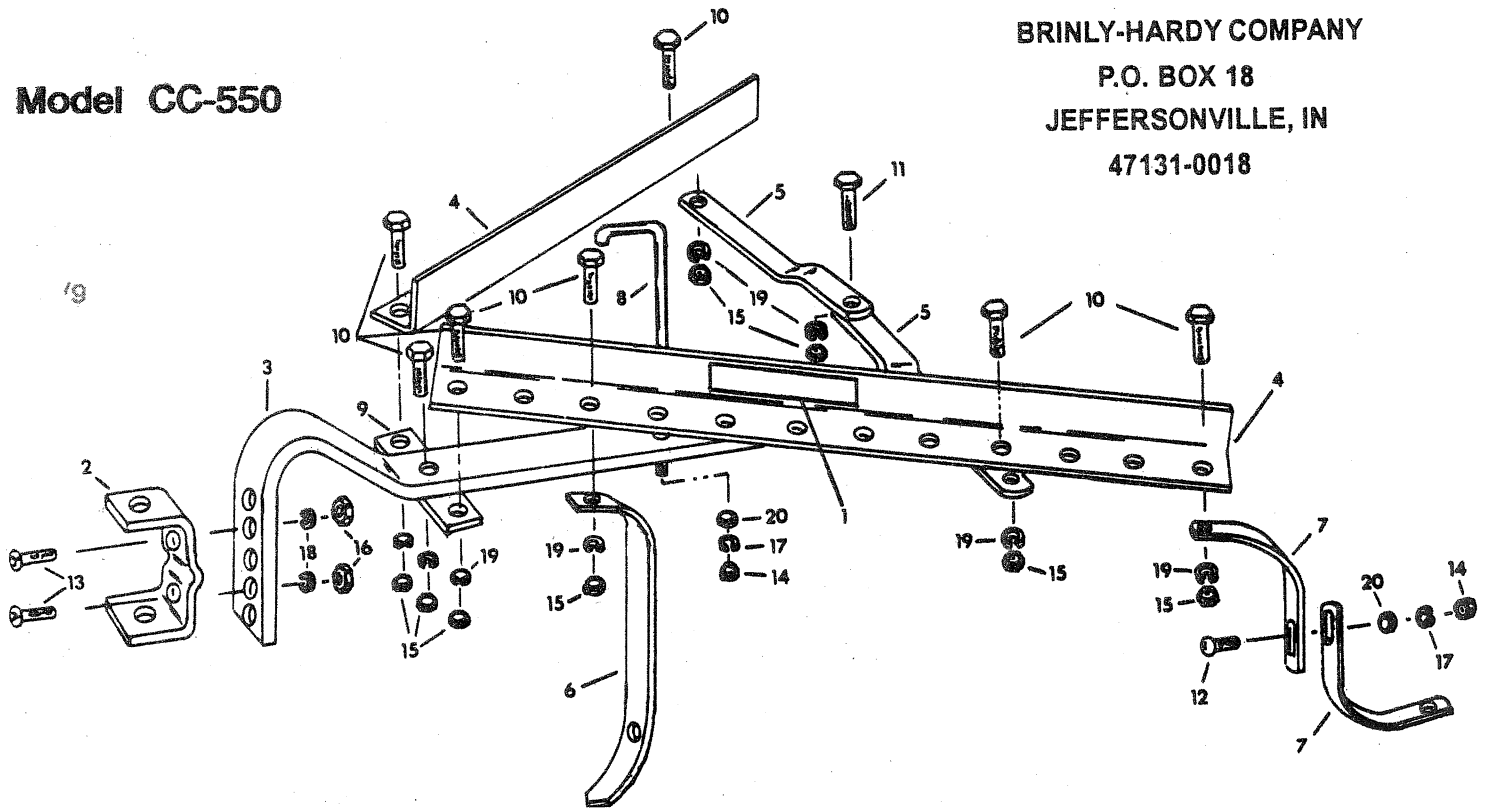
- The cultivator is essentially maintenance-free, however, as with any steel product, it can rust. For rust on Gauge Shoes and Shanks, apply a light coat of oil.

- For rust on Mounting Bracket and Frame parts, sand and apply a light coat of enamel paint.

TO ORDER PARTS:

BRINLY-HARDY COMPANY
P.O. BOX 18
JEFFERSONVILLE, IN
47131-0018

Model CC-550



PARTS LIST

Ref. No.	Part No.	Description	Qty.	Ref. No.	Part No.	Description	Qty.
1.	B-4684	Logo Decal	1	11.	1M1632P	Hex Bolt 1/2" x 2"	1
2.	C-362-10	Hitch Bracket	1	12.	11M1216P	Carriage Bolt 3/8" x 1"	2
3.	C-363-10	Pull Bar	1	13.	15M1428P	Plow Bolt 7/16" x 1-3/4"	2
4.	C-364-10	Frame Angle	2	14.	30M1200P	Hex Nut 3/8"	3
5.	C-365-10	Frame Tie Bar	2	15.	30M1600P	Hex Nut 1/2"	14
6.	C-366-10	Rigid Shank	7	16.	30M1400P	Hex Nut, 7/16"	2
7.	C-367-10	Gauge Shoe Half	4	17.	40M1200P	Lock Washer 3/8"	3
8.	C-368	Rod Tie-Down	1	18.	40M1400P	Lock Washer 7/16"	2
9.	C-369-10	Tie Strap	1	19.	40M1600P	Lock Washer 1/2"	15
10.	1M1624P	Hex Bolt 1/2" x 1-1/2"	13	20.	45M1313P	Plain Washer 3/8"	3