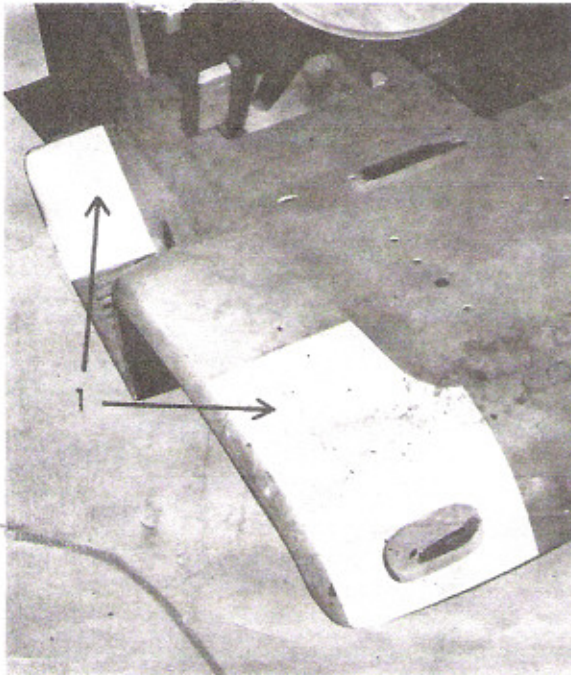
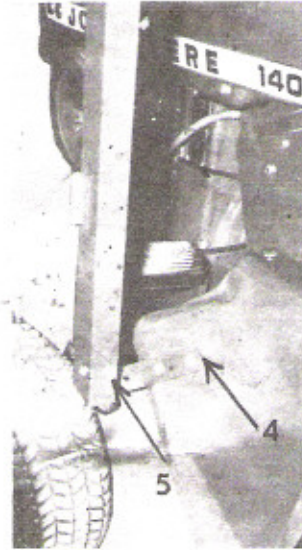


Installation Instructions for Part No. TY2033 SUN TOP for JOHN DEERE 140 Lawn and Garden Tractor



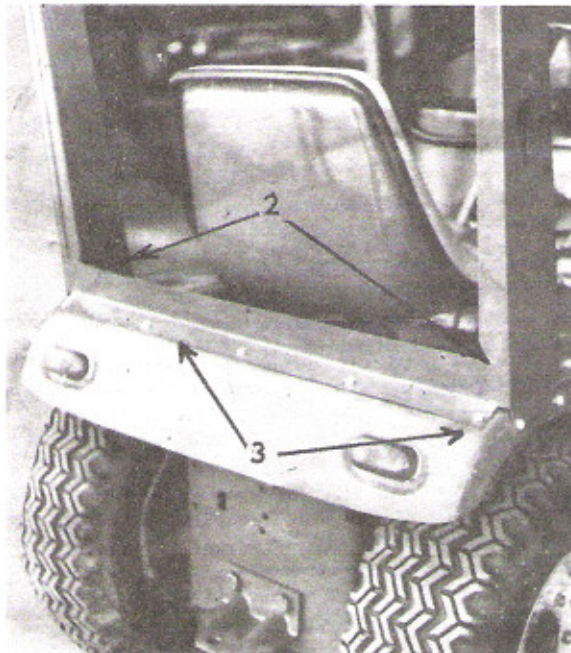
1. Tape templates to left fender and step as shown. Mark holes on both sides of fenders.

See template for right step.



LEFT STEP

4. Drill holes in step using templates supplied and bolt front door post bracket as shown. Use two $\frac{1}{4}$ " x $\frac{3}{4}$ " bolts, large washers, lock washers and nuts.
5. Bolt bottom of door post to bracket on step using two $\frac{1}{4}$ " x $\frac{3}{4}$ " bolts, lock washers and nuts.

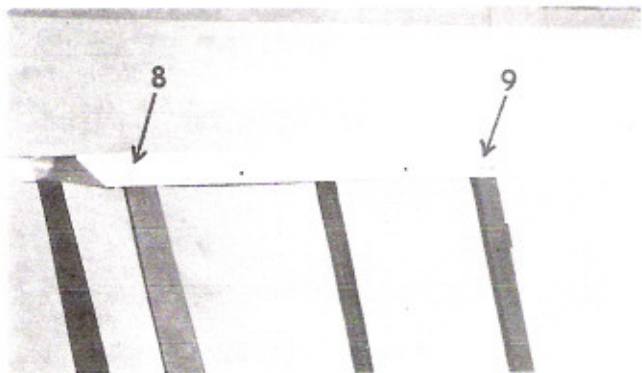


2. Set rear upright up on fenders to see that marks on fender line up with 2 inside holes.
3. Drill 4 holes in fender and bolt rear uprights to fender using $\frac{1}{4}$ " x $\frac{3}{4}$ " hex bolts, large washer under fender, lock washer and nuts. After the 4 bolts are tightened drill through other holes in upright and bolt to fender using $\frac{1}{4}$ " x $\frac{3}{4}$ " bolts, large washers, lock washers and nuts.



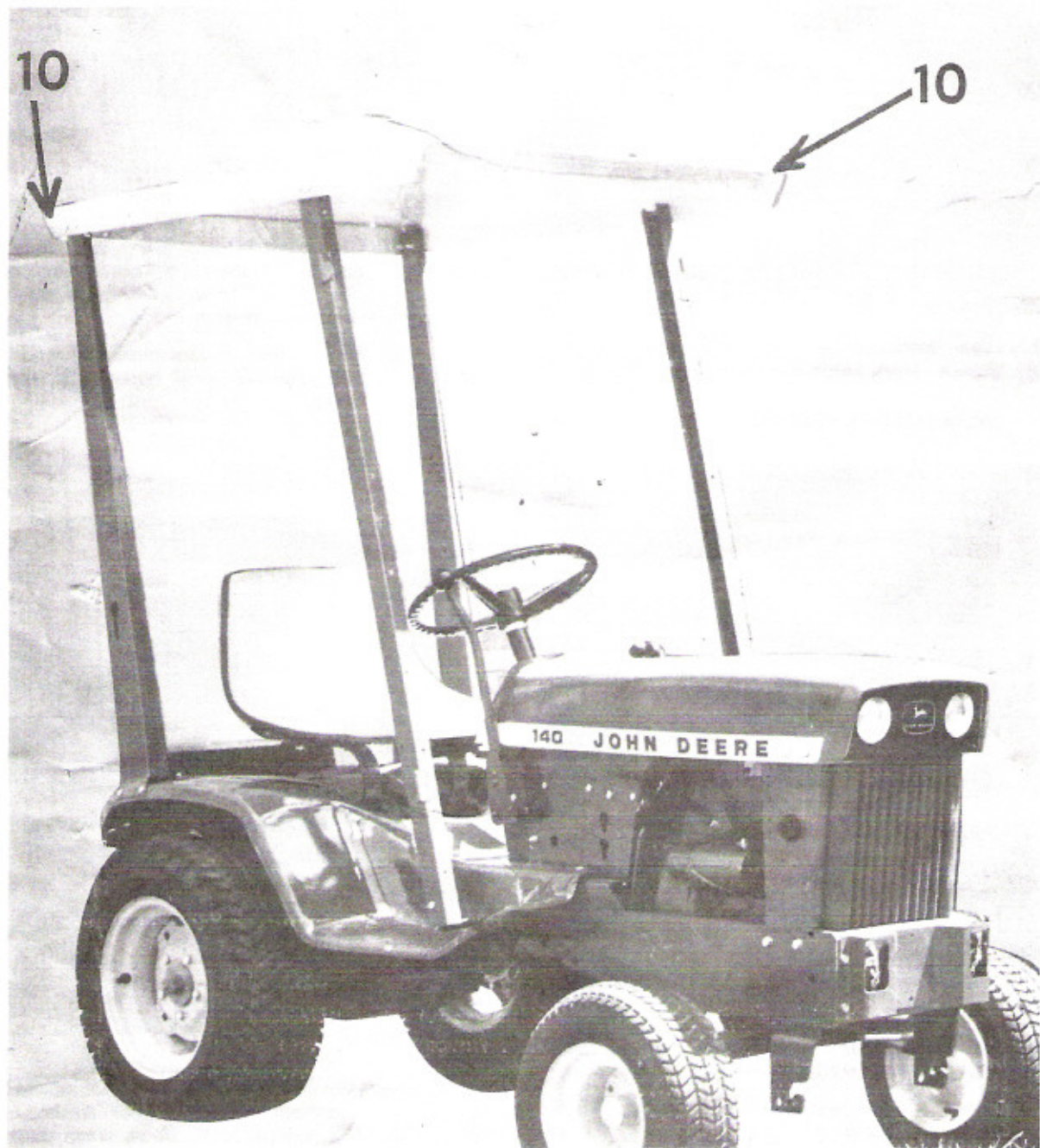
RIGHT STEP

6. Drill holes in step using templates supplied and bolt front door post bracket as shown. Use two $\frac{1}{4}$ " x $\frac{3}{4}$ " bolts, large washers, lock washers and nuts.
7. Bolt bottom of door post to bracket on step using two $\frac{1}{4}$ " x $\frac{3}{4}$ " bolts, lock washers and nuts.



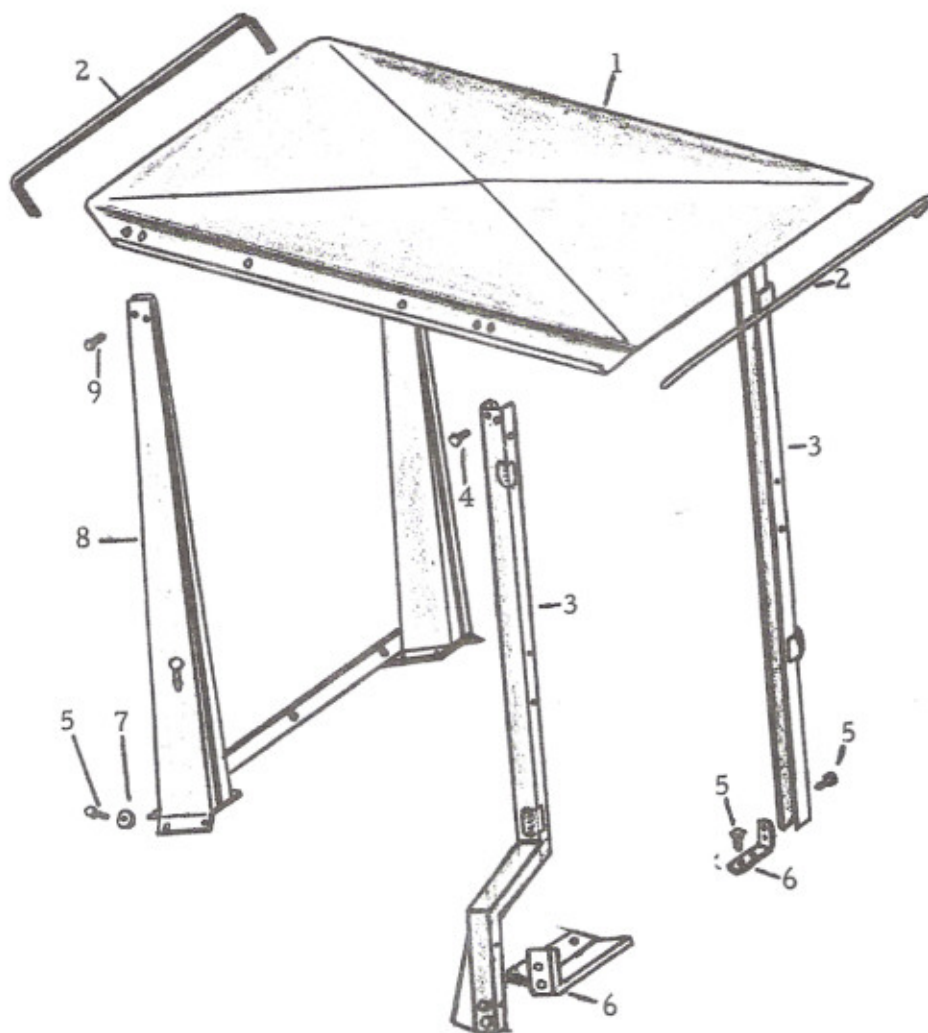
8. Lay top over the 4 uprights and rear part to rear uprights using $\frac{1}{4}$ " x $1\frac{1}{2}$ " bolts, lock washers and nuts. Heads of bolts to outside. (The rear end of top has two holes closest to end).

9. Bolt front uprights to top using $\frac{1}{4}$ " x $\frac{1}{2}$ " hex head bolts, lock washers and nuts. (Heads of bolts go to outside).



10. Cement black molding furnished to front and rear edges of top.

TRACTORS - LAWN AND GARDEN - 140
SUN TOP (HINSON)



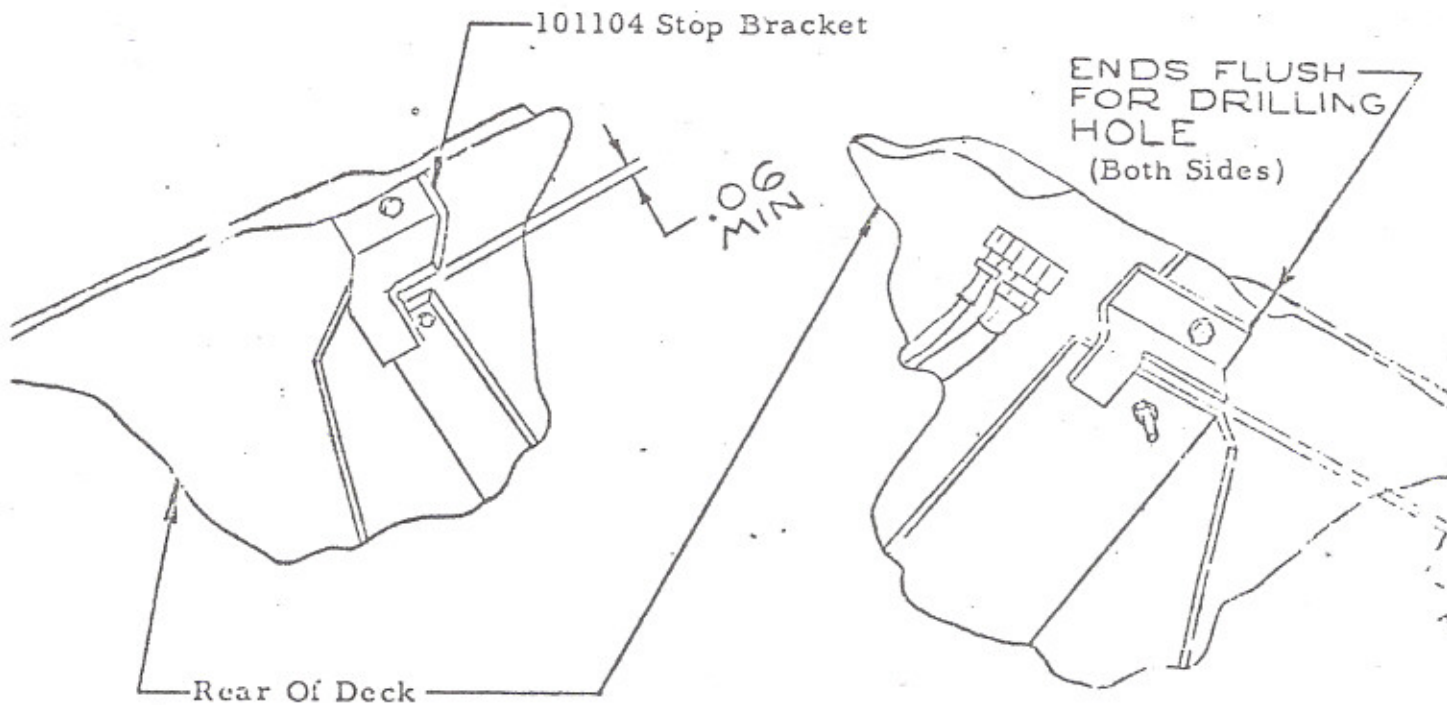
Key	Part No.	Serial No.	Description
1	TY2262	(-)	Roof
2	TY2261	(-)	Moulding, Roof (2 used)
3	TY2292	(-)	Support, Front, R.H.
	TY2264	(-)	Support, Front, L.H.
4	19H1227	(-)	Screw, Cap, 1/4" x 1/2" (4 used)
	12H302	(-)	Washer, Lock, 1/4"
	14H786	(-)	Nut, Hex, 1/4"
5	19H1948	(-)	Screw, Cap, 1/4" x 3/4" (25 used)
	12H302	(-)	Washer, Lock, 1/4"
	14H786	(-)	Nut, Hex, 1/4"
6	TY2258	(-)	Bracket, Front Support, L.H.
	TY2293	(-)	Bracket, Front Support, R.H.
7	24H1695	(-)	Washer, Flat, 9/32" x 1-3/8" - 16 ga. (21 used)
8	TY2263	(-)	Support, Rear
9	19H1898	(-)	Screw, Cap, 1/4" x 1-1/2" (4 used)
	12H302	(-)	Washer, Lock, 1/4"
	14H786	(-)	Nut, Hex, 1/4"
--	TY2033	(-)	Sun Top, Complete

INSTALLATION INSTRUCTIONS - STOP BRACKETS

For TY-2033

The following instructions apply to both right and left brackets as shown in the sketches below:

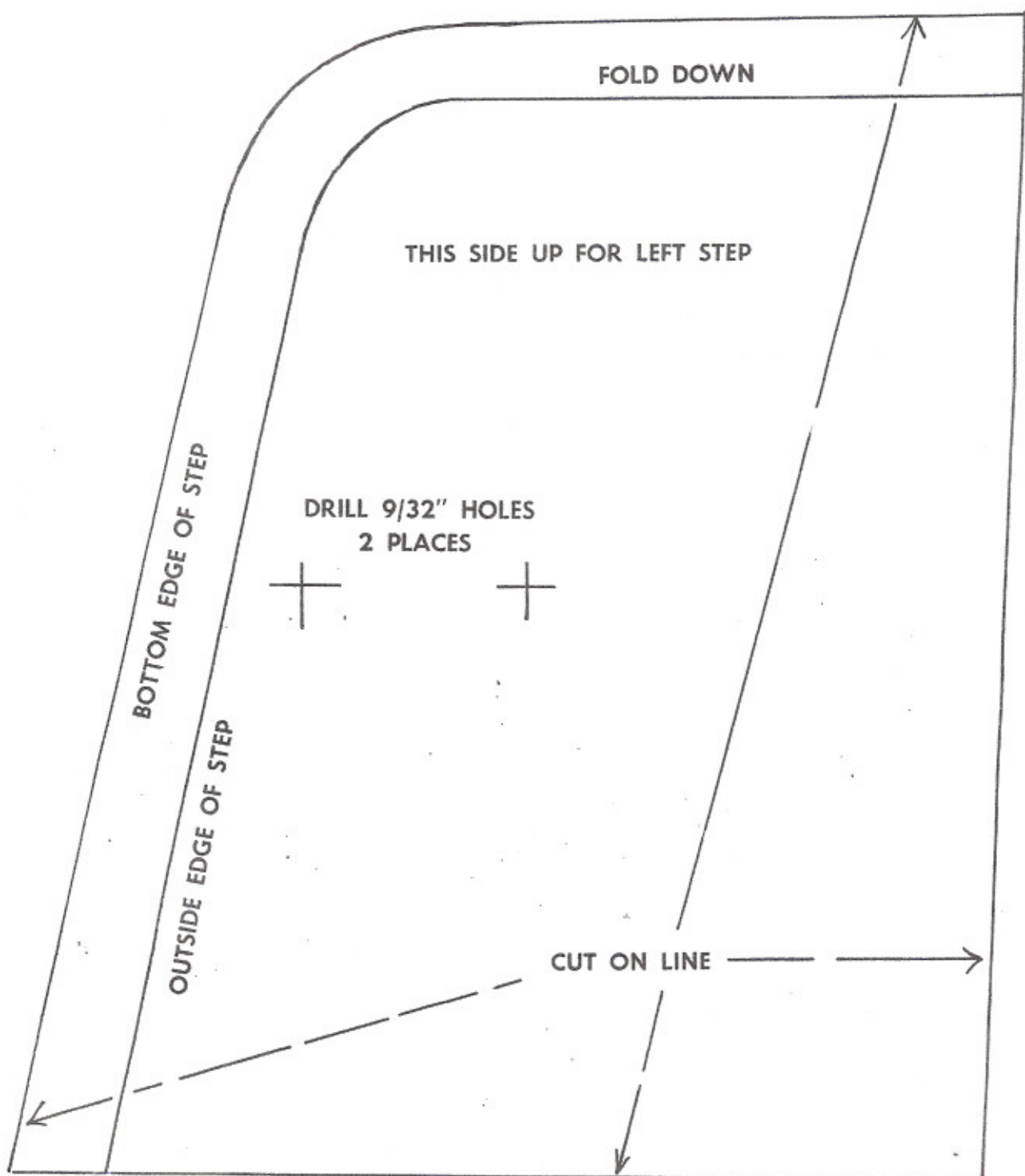
1. Position the end of the bracket flush with the fender deck mounting bracket as shown in sketch of right hand side.
2. Leave .06 minimum spacing between the stop bracket and the frame member.
3. Mark the hole in the fender deck bracket and drill a .344 dia. hole in the fender deck bracket.
4. Attach the brackets to the fender deck with the following hardware:
 - a. Capscrew - 5/16 x 3/4
 - b. Lockwasher - 5/16
 - c. Nut - 5/16

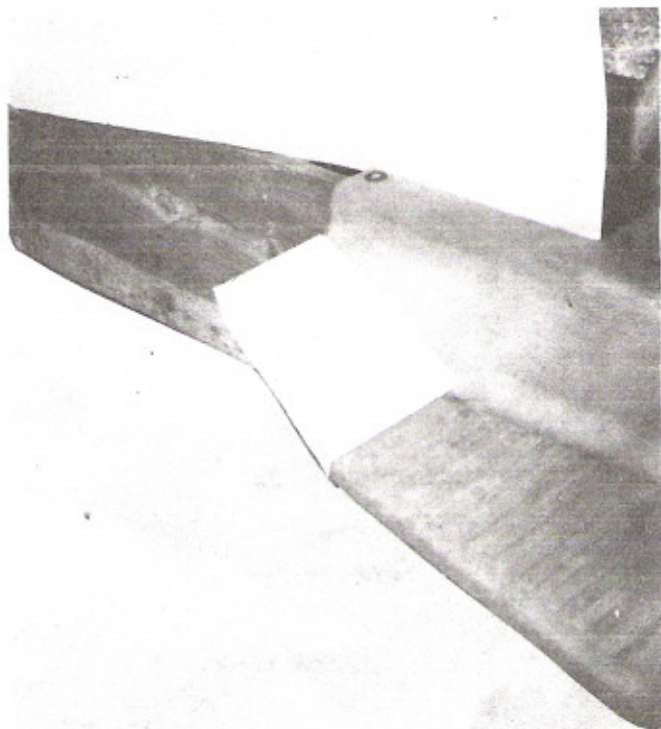
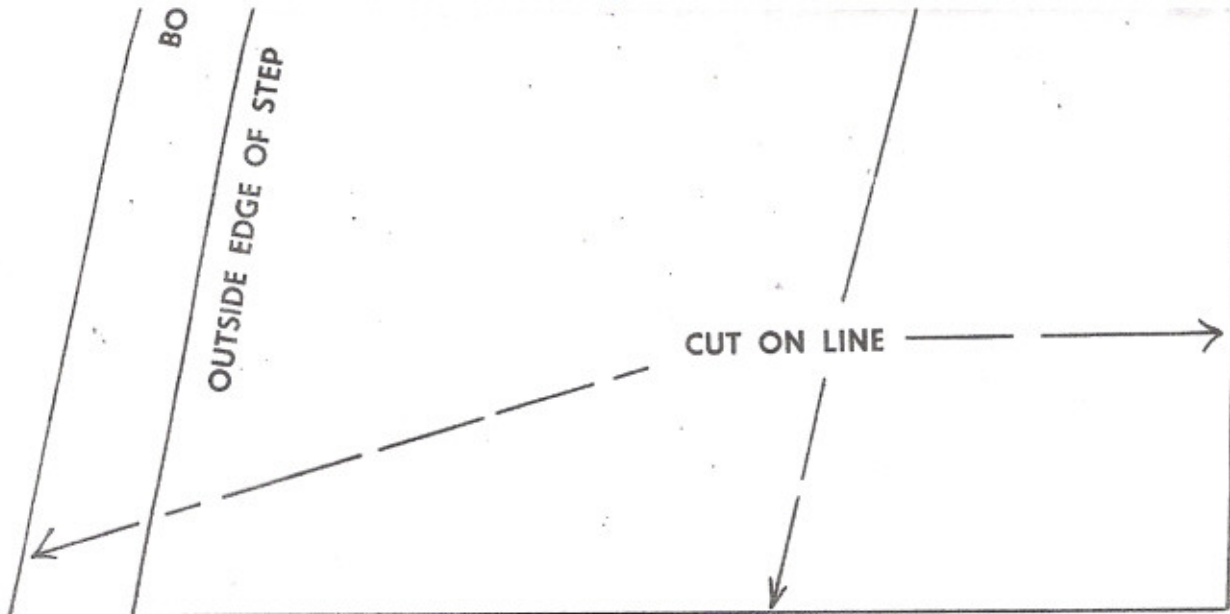


LEFT

RIGHT

Template For Drilling Holes in Left Hand Step to Install Part No. TY2033
on JOHN DEERE 140 Lawn & Garden Tractor





Template For Drilling Holes in Fender to Install Part No. TY2033
on JOHN DEERE 140 Lawn & Garden Tractor



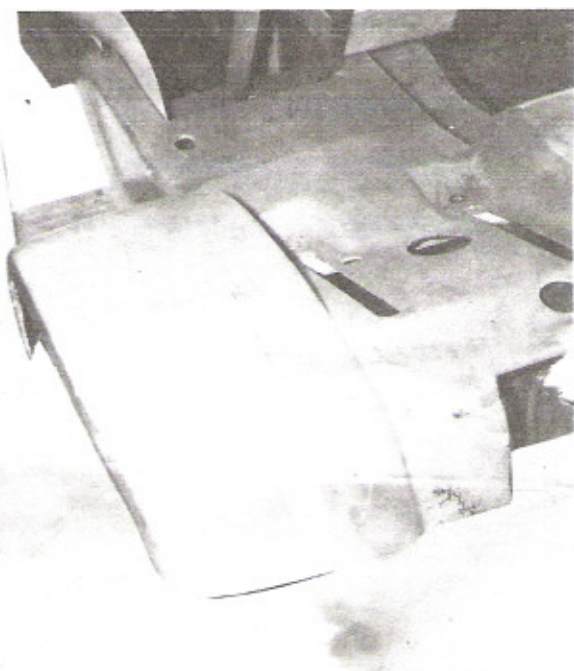
DRILL 9/32" HOLES
2 PLACES

THIS SIDE UP FOR LEFT FENDER
REVERSE FOR RIGHT SIDE



OUTSIDE EDGE OF FENDER

CUT ON LINE



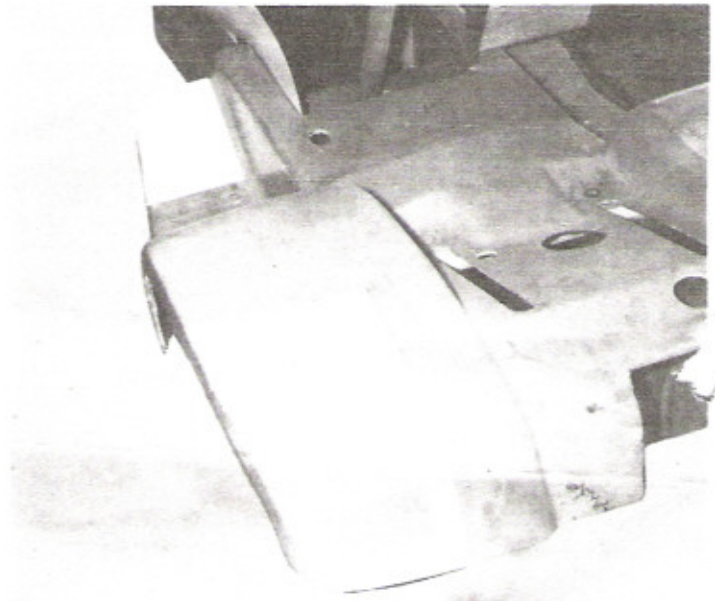
CUT OUT FOR LIGHT

OUTSIDE EDGE OF FENDER

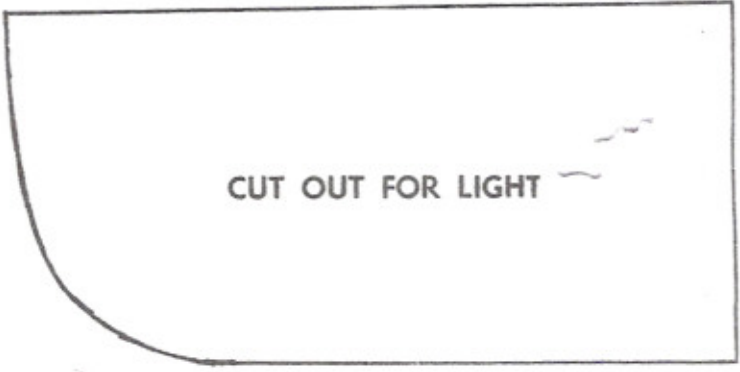
2 PLY



THIS SIDE UP FOR LEFT FENDER
REVERSE FOR RIGHT SIDE



CUT ON LINE



CUT OUT FOR LIGHT

BACK EDGE OF FENDER